

Professional

INTERRUTTORI IMPERMEABILI

Sealed rocker switches

Interrupteurs étanches



INTERRUTTORI KR IP68
 IP68 KR switches | Interrupteurs KR IP68



INDICATORI IP68
 IP68 indicators | Indicateurs IP68



INTERRUTTORE CON BLOCCO MECCANICO IP68
 IP68 Locking rocker switch | Interrupteur à bascule à verrouillage IP68



INTERRUTTORI SPORGENTI KG IP65
 IP65 KG protruding switches | Interrupteurs proéminents KG IP65

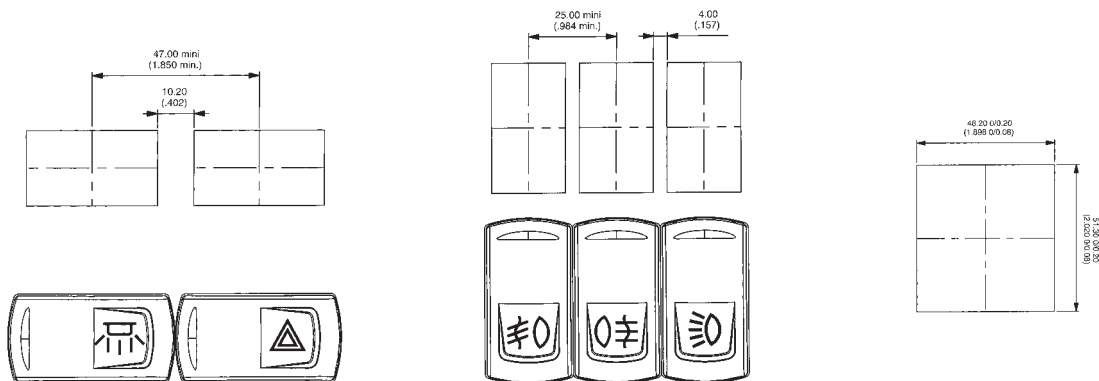


ACCESSORI
 Accessories | Accessoires



Basculare incise al laser

Laser marking rockers | Bascules gravées au laser



PRODUTTORI | Manufacturers | Producteurs



Professional

INTERRUTTORI IMPERMEABILI

Sealed rocker switches

Interrupteurs étanches

INFORMAZIONI GENERALI

General Information

Informations Générales

■ AFFIDABILITÀ NELLA COSTRUZIONE

Basandosi sui 47 anni di esperienza della APEM, la serie KG unisce una grande varietà di soluzioni tecniche, puntando a uno scopo ben preciso: la sicurezza del lavoro in condizioni estreme.

I vantaggi che ne derivano sono molteplici:

- maggiore robustezza grazie alla cornice di protezione della bascula
- maggiore durata nel tempo grazie al pannello frontale isolante
- migliori prestazioni grazie ai contatti in argento
- maggiore affidabilità di utilizzo grazie alla serigrafia retroilluminata.

■ MODULARI ED ERGONOMICI

Il design modulare dei KG e dei KR permette di costruire molti interruttori diversi assemblando lo stesso tipo di unità di base.

La vasta gamma di spie luminose e di simboli serigrafabili, dà alla APEM la possibilità di offrire prodotti adatti alle necessità specifiche dei macchinari per l'edilizia, per i lavori pubblici, per i trasporti e per l'agricoltura.

Il flessibile sistema di codifica della serie KG dà la possibilità di ordinare separatamente il corpo interruttore, la bascula e le eventuali lenti. Sarà poi possibile assemblare i pezzi secondo le proprie esigenze.

■ RELIABLE CONSTRUCTION

Based on APEM's 47 years' experience, the KG series combines a large variety of technical solutions aiming at precise objective: safety of operation under extreme conditions.

This results in many advantages:

- increased robustness owing to the rocker protection bezel
- increased durability owing to the front panel sealing
- increased ratings owing to the silver grain contacts
- increased actuation reliability owing to the highly visible backlit marking.

■ MODULARITY AND ERGONOMICS

The KG and KR modular design allows the construction of many different switches incorporating the same basic case type.

The wide range of backlighting and marking options makes it possible to offer products adapted to the specific needs of vehicles in the building, public works, transports and agriculture fields.

The KG flexible part numbering system allows to build a part number not only for a complete switch, but also for the rocker lens as separate accessories to snap-in.

■ FIABILITÀ NELLA COSTRUZIONE

Se basando sui 47 anni di esperienza d'APEM, la serie KG offre un grande choix de solutions techniques avec un but bien précis: la sécurité du travail dans des conditions extrêmes.

Les avantages qui en découlent sont multiples:

- robustesse plus grande grâce au cadre de protection de la bascule.
- plus de durée dans le temps grâce au panneau frontal isolant;
- meilleures prestations grâce aux contacts en argent.
- plus grande fiabilité d'utilisation grâce au marquage rétro-éclairant.

■ MODULAIRES ET ERGONOMIQUES

Le design modulaire de la série KG et KR permet de construire beaucoup d'interrupteurs différents en assemblant le même type d'unités de base.

La vaste gamme de voyants et de marquage donne à APEM la possibilité d'offrir des produits adaptés aux nécessités spécifiques des machines pour la construction, pour les travaux publics, pour les transports et pour l'agriculture.

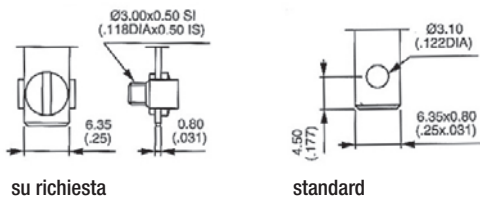
Le système flexible de codification de la série KG permet de commander séparément l'interrupteur, la bascule et les lentilles éventuelles.

Ensuite, on pourra les assembler selon les exigences.



Contatti

Contacts | Contacts

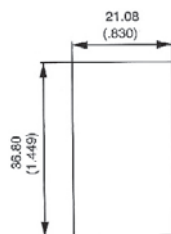


su richiesta

standard

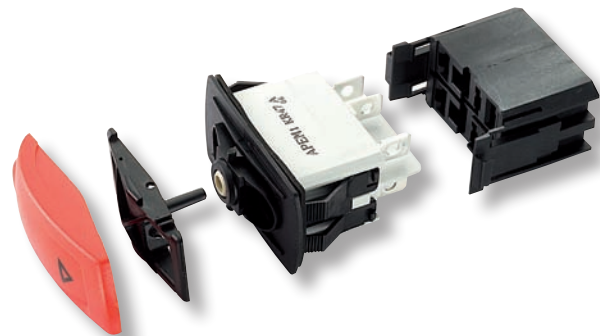
Dima foratura

Panel cut out | Perçage



MONTAGGIO SERIE KR

KR series assembling | Assemblage séries KR



APPLICAZIONI

Applications | Applications

- **Automazione industriale**
Industrial automation | Automation industrielle
- **Automotive**
Automotive | Automobile
- **Agricoltura**
Agriculture | Agriculture
- **Nautico**
Nautical appliance | Applications nautiques
- **Movimento carichi**
Loads lifting and moving | Mouvement de charges
- **Macchine per edilizia**
Building machines | Machines pour la construction

VANTAGGI

Advantages | Avantages

- **Modularità**
Modular construction | Modularité
- **Impermeabilità**
Sealing | Etanchéité
- **Personalizzabile**
Possibility of customizing | Personnalisable
- **Ampia gamma accessori**
Wide range of accessories | Large choix d'accessoires

Professional

INTERRUTTORI IMPERMEABILI

Sealed rocker switches

Interrupteurs étanches

INFORMAZIONI GENERALI

General Information

Informations Générales

Tutti i simboli rispettano la normativa ISO7000 "Simboli grafici per apparecchiature". Realizzabili simboli speciali o loghi personalizzati su disegno fornito dal cliente.

All symbols comply with the Standards ISO7000 relating to "Graphic Symbols for equipments". Special or custom symbols available upon presentation of customer's drawing.

Tous les symboles respectent la norme ISO7000 "Symboles graphiques pour appareillages". Possibilité de réaliser des symboles spéciaux ou logos personnalisés (dessin à fournir par le client).

CODE	SYMBOL	DESCRIPTION
XX	None	-
01	ON	-
02	OFF	-
03	○	-
04	I	-
05	II	-
06	STOP	-
07	A	Stop
08	M	Motion
09	▲	Up motion
10	▼	Down motion
11	☀	Hot
12	❄	Cold
13	⚠	Hazard Warning (0085)
14	☀	Traveller lighting
15	☀	Driver lighting (1421)
16	☀	Revolving light
17	☀	Rear ventilator
18	☀	Heating (0637)

CODE	SYMBOL	DESCRIPTION
19	🚪	Door opening
20	☀	Windshield demister/defroster (0635)
21	☀	Windshield wiper (0086)
22	☀	Windshield washer (0088)
23	☀	Ventilator fan (0089)
24	☀	Side mirror defroster
25	☀	Restarting pump
26	☀	Front fog lights (0633)
27	☀	Rear fog lights (0634)
28	☀	Propulsion system trim
29	☀	Beacon (1141)
30	☀	Anchor
31	☀	Electric motor (0011)
32	☀	Emergency first aid vehicle (2565)
33	☀	Load tipping (1557)
34	☀	Loading light (2457)
35	☀	Tractor, rearward (1667)
36	☀	Combine, direction of movement (1678)
37	☀	Use no forks (2406)

CODE	SYMBOL	DESCRIPTION
38	☀	Transmission (1166)
39	☀	Working spot light (1145)
40	☀	Engine (0640)
41	☀	Horn (0244)
42	☀	Lock (1656)
43	☀	Taxi sign light (2551)
44	☀	Working light (1204)
45	☀	Working light symmetric (1204)
46	☀	-
47	ASM	-
48	☀	All wheel drive
49	☀	Differential lock (1662)
50	☀ TOP	-
51	☀ 1000	-
52	☀ 540E	-
53	N	-
54	☀	Rear window wiper (0097)
55	☀	Rear window washer (0099)
56	☀	Lower load (2223)

CODE	SYMBOL	DESCRIPTION
57		Cab lock (1560)
58		Extraction
59		Pumping in
60		Rear PTO (1572)
61		Front PTO
62		Rockshaft down
63		Rockshaft up
64		Indicator
65		Brake release
66		Baggage room left door
67		Baggage room right door
68		Power blinds
69		Engine idle control
70		Cruise res/set
71		Driver windows up/down
72		Middle door opening
73		Front door opening
74		Lighting in baggage room
75		Cruise on/off

CODE	SYMBOL	DESCRIPTION
76		TV
77		Pump
78		Toilet
79		Toilet decontamination
80		Front windshield heating
81		Aus
82		Radiator fan
83		Remove retarder
84		Restricted speed
85		Preheater
86		ABS detection
87		ECAS detection
88		Engine stop
89		Cruise res/cancel
90		ECAS reset
91		Driver windows heating
92		Cruise set
93		Air bag up/down
94		Read lighting

CODE	SYMBOL	DESCRIPTION
95		Lighting main switch
96		Heating using water
97		Low beam
98		Position lights
99		Diesel acceleration
A1		Manual mode
A2		Clockwise cabin rotation
A3		Anticlockwise cabin rotation
A4		-
A5		-
A6		Parking brake
A7		-
A8		-
A9		-
AA		-
AB		-
AC		-
AD		-
AE		-
AF		-

CODE	SYMBOL	DESCRIPTION
AG		Battery charging condition (0247)
AH		Turn signals (0084)
AJ		High beam (0082)
AK		Differential lock, bogie (2600)
AL		Brushing with a rotating brush (0070)
AM		Differential lock transfer case 4x4 (2475)
AN		Loader bucket, float (1441)
AP		Loader bucket (1437)
AQ		Rear window washer & wiper (0098)
AR		Header drive (1579)
AS		Excavator/backhoe boom side shift (2091)
AT		Chemical water treatment (1851)
AU		Grapple skidder, single funct* boom (1762)
AV		-
AW		-
AY		-
AZ		-
B1	HIGH	-
B2	LOW	-
B3		-

INTERRUTTORI IMPERMEABILI

Sealed rocker switches | *Interrupteurs étanches*



INTERRUTTORI Switches | *Interrupteurs*

Corrente
10 A
Tensione
24 Vdc
Contatti
Argento
Manovre meccaniche
150.000
Manovre elettriche
10.000
Grado di protezione
IP 68
Temperatura di lavoro
-40°C +85°C
Codice di omologazione
APEM KR

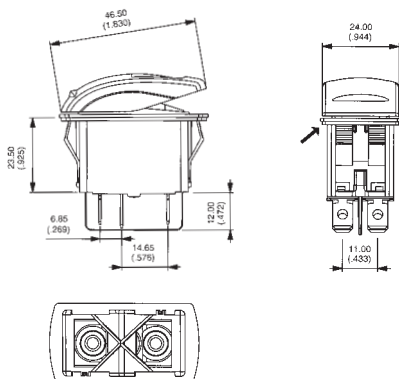
Current
10 A
Voltage
24 Vdc
Contacts
Silver
N° mechanical cycles
150.000
N° electrical cycles
10.000
Sealing
IP 68
Operating temperature
-40°C +85°C
Approval code
APEM KR

Courant
10 A
Tension
24 Vdc
Contacts
Argent
Manoeuvres mécaniques
150.000
Manoeuvres électriques
10.000
Indice de protection
IP 68
Température d'utilisation
-40°C +85°C
Code d'homologation
APEM KR



Codice Code Code	Circuito Circuit Circuit
Unipolare Single pole Unipolaire	
KR31	on - off
KR35	mom - on
KR36	on - on
KR37	mom off mom
KR38	on off mom
KR39	on off on
Bipolare Double pole Bipolaire	
KR41	on - off
KR45	mom - on
KR46	on - on
KR47	mom off mon
KR48	on off mom
KR49	on off on

Dimensioni | Dimensions | Dimensions



INTERRUTTORI LUMINOSI Illuminated switches | *Interrupteurs lumineux*

Corrente
10 A
Tensione
24 Vdc
Contatti
Argento
Manovre meccaniche
150.000
Manovre elettriche
10.000
Grado di protezione
IP 68
Temperatura di lavoro
-40°C +85°C
Codice di omologazione
APEM KR

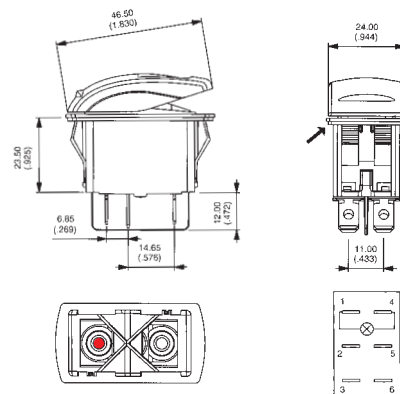
Current
10 A
Voltage
24 Vdc
Contacts
Silver
N° mechanical cycles
150.000
N° electrical cycles
10.000
Sealing
IP 68
Operating temperature
-40°C +85°C
Approval code
APEM KR

Courant
10 A
Tension
24 Vdc
Contacts
Argent
Manoeuvres mécaniques
150.000
Manoeuvres électriques
10.000
Indice de protection
IP 68
Température d'utilisation
-40°C +85°C
Code d'homologation
APEM KR



Codice Code Code	Circuito Circuit Circuit	Led Led Led	Colore led Led colour Couleur led
Unipolare Single pole Unipolaire			
KR312AKJXA	on - off	24 V	■
KR312AKKXA	on - off	24 V	■
KR312AKLXA	on - off	24 V	■
Bipolare Double pole Bipolaire			
KR412AKJXA	on - off	24 V	■
KR412AKKXA	on - off	24 V	■
KR412AKLXA	on - off	24 V	■

Dimensioni | Dimensions | Dimensions



a richiesta fornibile con led 6 V o/e 12 V
led 6 V and 12 V are available upon request
led 6 V e 12 V disponibles sur demande

INTERRUTTORI IMPERMEABILI

Sealed rocker switches | Interrupteurs étanches



INTERRUTTORI LUMINOSI DOPPI

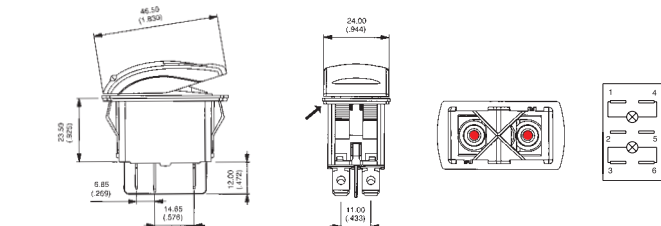
Double illuminated switches | Interrupteurs lumineux doubles

Corrente 10 A	Current 10 A	Courant 10 A
Tensione 24 Vdc	Voltage 24 Vdc	Tension 24 Vdc
Contatti Argento	Contacts Silver	Contacts Argent
Manovre meccaniche 150.000	N° mechanical cycles 150.000	Manoeuvres mécaniques 150.000
Manovre elettriche 10.000	N° electrical cycles 10.000	Manoeuvres électriques 10.000
Grado di protezione IP 68	Sealing IP 68	Indice de protection IP 68
Temperatura di lavoro -40°C +85°C	Operating temperature -40°C +85°C	Température d'utilisation -40°C +85°C
Codice di omologazione APEM KR	Approval code APEM KR	Code d'homologation APEM KR



Codice Code	Circuito Circuit	Led Led	Colore Color
Unipolare Single pole Unipolaire			
KR312AKJJA	on - off	24 V	■
KR312AKKKA	on - off	24 V	■
KR312AKLLA	on - off	24 V	■
KR362AKJJA	on - on	24 V	■
KR362AKKKA	on - on	24 V	■
KR362AKLLA	on - on	24 V	■
KR372AKJJA	mom - off - mom	24 V	■
KR372AKKKA	mom - off - mom	24 V	■
KR372AKLLA	mom - off - mom	24 V	■
KR392AKJJA	on - off - on	24 V	■
KR392AKKKA	on - off - on	24 V	■
KR392AKLLA	on - off - on	24 V	■
Bipolare Double pole Bipolaire			
KR412AKJJA	on - off	24 V	■
KR412AKKKA	on - off	24 V	■
KR412AKLLA	on - off	24 V	■
KR462AKJJA	on - on	24 V	■
KR462AKKKA	on - on	24 V	■
KR462AKLLA	on - on	24 V	■
KR472AKJJA	mom - off - mom	24 V	■
KR472AKKKA	mom - off - mom	24 V	■
KR472AKLLA	mom - off - mom	24 V	■
KR492AKJJA	on - off - on	24 V	■
KR492AKKKA	on - off - on	24 V	■
KR492AKLLA	on - off - on	24 V	■

Dimensioni | Dimensions | Dimensions



40 pz / 40 pcs / 40 pces
 pronta in stock / en stock
 a richiesta fornibile con led 6 V o/e 12 V / led 6 V and 12 V are available upon request / led 6 V e 12 V disponibles sur demande



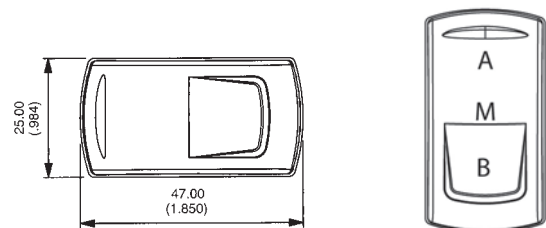
BASCULE

Plain rockers | Bascules

Materiale Termoplastico UL 94-V0	Material Thermoplastic UL 94-V0	Matériau Thermoplastique UL 94-V0
Incisione Laser	Engraving Laser	Séigraphie Laser

Codice Code	Colore Color
Non incise Not engraved Non sérigraphié	
KRR11	■
KRR11/4	■ dark blue
KRR12	■
KRR13	■
KRR14	■
KRR15	■
KRR16	■
KRR17	□ avorio
KRR19	■
KRR1A	■ alluminium bright NEW
Incisione singola Single engraving Un seul marquage	
KRR22NA - 00	■
KRR22ANA - 00	■ alluminium bright NEW
Incisione doppia Double engraving Double marquage	
KRR22NAB - 00 - 00	■
KRR22ANAB - 00 - 00	■ alluminium bright NEW

Dimensioni | Dimensions | Dimensions



Serigrafia: nel codice sostituire 00 con simboli a pag.78-79
 Replace the 00 in the part number with any symbol on page 78-79
 Marquage: remplacer les 00 dans la référence par les symboles de la page 78-79

40 pz / 40 pcs / 40 pces
 pronta in stock / en stock

INTERRUTTORI IMPERMEABILI

Sealed rocker switches | Interrupteurs étanches



INDICATORI IP68

IP68 indicators | Indicateurs IP68

Tension
6 VDC - 12 VDC - 24 VDC

Corrente Led
20 mA

Corpo
ABS

Contatti
Ottone argentato

Grado di protezione
IP 68

Temperatura di lavoro
-40°C +85°C

Voltage
6 VDC - 12 VDC - 24 VDC

Led current
20 mA

Body
ABS

Contacts
Silver plated brass

Sealing
IP 68

Operating temperature
-40°C +85°C

Tension
6 VDC - 12 VDC - 24 VDC

Courant de la led
20 mA

Corps
ABS

Contacts
Laiton argenté

Indice de protection
IP 68

Température d'utilisation
-40°C +85°C



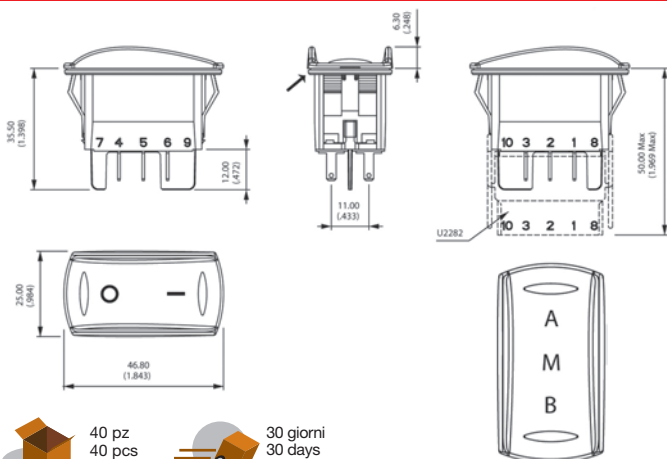
Codice Code Code	Colore Colour Couleur	Led sostituire *** con: Led replace *** with: Led remplacer *** avec:
KI 1 *** XN ○○○ CK	Blue	Side A: X None, Side M: A LED 6V, Side B: B LED 6V
KI 1/4 *** XN ○○○ CK	Dark Blue	C LED 6V
KI 2 *** XN ○○○ CK	Black	M LED 6V
KI 3 *** XN ○○○ CK	Green	R LED 6V
KI 4 *** XN ○○○ CK	White	D LED 12V
KI 5 *** XN ○○○ CK	Yellow	E LED 12V
KI 6 *** XN ○○○ CK	Red	F LED 12V
KI 9 *** XN ○○○ CK	Orange	N LED 12V
		S LED 12V
		J LED 24V
		K LED 24V
		L LED 24V
		P LED 24V
		T LED 24V

DC voltage standard



Serigrafia: nel codice sostituire ○○○ con simboli a pag.78-79
Replace the ○○○ in the part number with any symbol on page 78-79
Marquage: remplacer les ○○○ dans la référence par les symboles de la page 78-79

Dimensioni | Dimensions | Dimensions



40 pz 30 giorni
40 pcs 30 days
40 pces 30 jours



INTERRUTTORE CON BLOCCO MECCANICO IP68

IP68 Locking rocker switch | Interrupteur à bascule à verrouillage IP68

Corrente / Tension
10 A / 24 VDC

Tasto
ABS

Corpo
PA 6-6

Contatti
Argento

Manovre meccaniche
150.000

Manovre elettriche
10.000

Grado di protezione
IP 68

Temperatura di lavoro
-40°C +85°C

Current / Voltage
10 A / 24 VDC

Actuator
ABS

Body
PA 6-6

Contacts
Silver

N° mechanical cycles
150.000

N° electrical cycles
10.000

Sealing
IP 68

Operating temperature
-40°C +85°C

Courant / Tension
10 A / 24 VDC

Actuateur
ABS

Corps
PA 6-6

Contacts
Argent

Manoeuvres électriques
150.000

Manoeuvres électriques
10.000

Indice de protection
IP 68

Température d'utilisation
-40°C +85°C

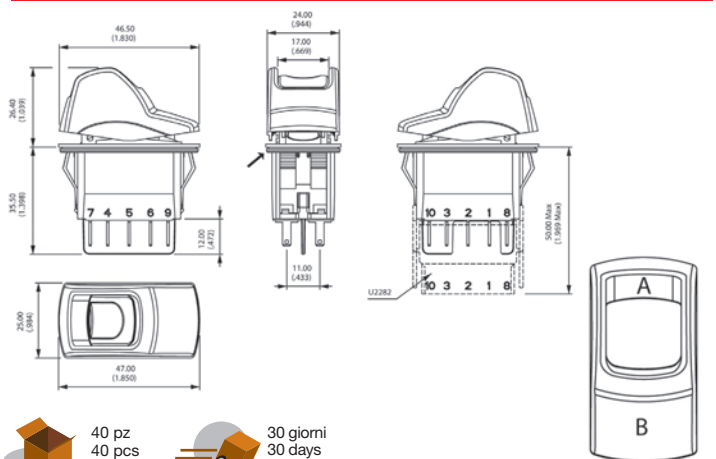


Codice Code Code	N° poli N° poles	Circuito Circuit Circuit	Colore Colour Couleur	Colore attuatore Actuator colour Couleur Actuateur
KL 312AKXA125N ○○	1	ON - OFF	Black	Yellow
KL 412AKXA125N ○○	2	ON - OFF	Black	Yellow



Serigrafia: nel codice sostituire ○○○ con simboli a pag.78-79
Replace the ○○○ in the part number with any symbol on page 78-79
Marquage: remplacer les ○○○ dans la référence par les symboles de la page 78-79

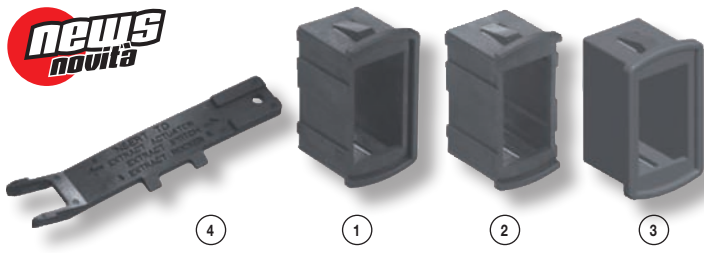
Dimensioni | Dimensions | Dimensions



40 pz 30 giorni
40 pcs 30 days
40 pces 30 jours

INTERRUTTORI IMPERMEABILI

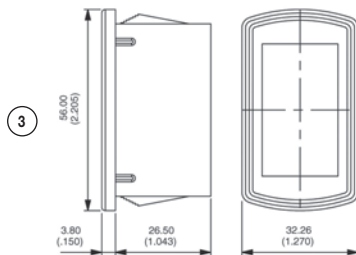
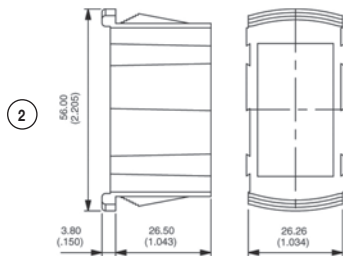
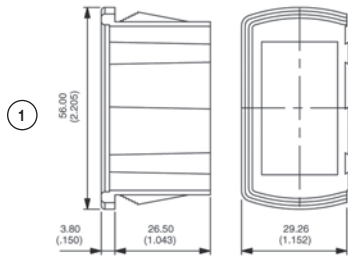
Sealed rocker switches | Interrupteurs étanches



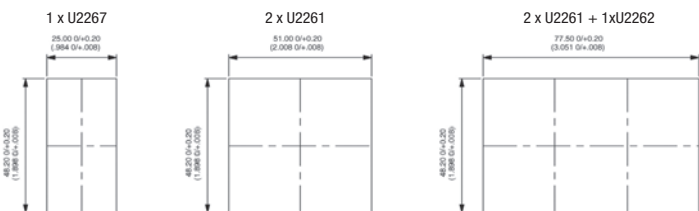
ACCESSORI SERIE K

K series accessories | Accessoires série K

Codice Code Code	Descrizione Description Description	Foto Photo Photo
Supporti Mounting Panel Support		
U2261	Finale End Final	1
U2262	Centrale Middle Central	2
U2267	Singolo Single Unique	3 NEW
Accessorio rimozione Removing tool Accessoires pour le déplacement		
U3052		4 NEW

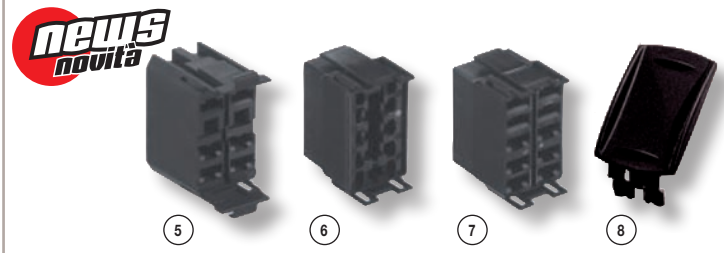


Foratura pannello | Panel cut-out | Perçage du panneau



40 pz
40 pcs
40 pces

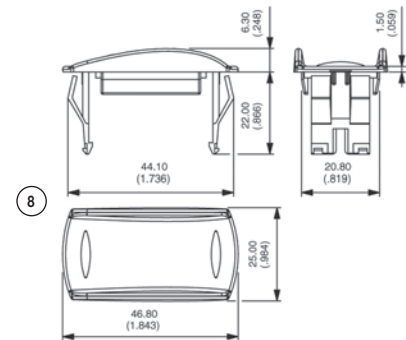
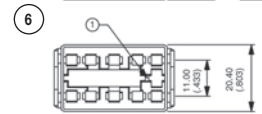
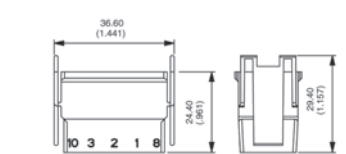
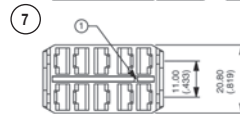
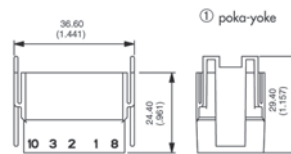
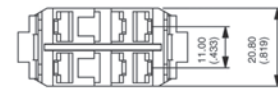
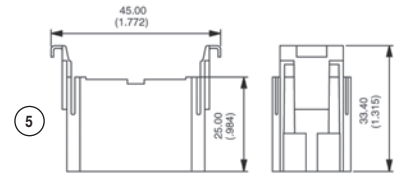
pronta
in stock
en stock



ACCESSORI SERIE K

K series accessories | Accessoires série K

Codice Code Code	Descrizione Description Description	Foto Photo Photo
Connettori Connectors Connecteur		
U2260	Versione 6 terminali 6 terminal version Version 6 terminaux	5
U2282	Versione 10 terminali 10 terminal version Version 10 terminaux 2,8 mm	6 NEW
U2292	Versione 10 terminali 10 terminal version Version 10 terminaux 6,3 mm	7 NEW
Copriforo Hole plugs Capuchon		
U2272		8



40 pz
40 pcs
40 pces

pronta
in stock
en stock

INTERRUTTORI IMPERMEABILI

Sealed rocker switches | *Interrupteurs étanches*



INTERRUTTORI NON LUMINOSI SPORGENTI

Non-illuminated switches | *Interrupteurs non lumineux*

Corrente 2 posizioni

15 A

Corrente 3 posizioni

10 A

Tensione

250 V

Contatti

Ottone argentato faston 6,3

Manovre meccaniche

100.000

Manovre elettriche

10.000

Grado di protezione

IP 65

Temperatura di lavoro

-40°C +85°C

Codice di omologazione

APEM KG

2 position current

15 A

3 position current

10 A

Voltage

250 V

Contacts

Faston 6,3 silver plated brass

N° mechanical cycles

100.000

N° electrical cycles

10.000

Sealing

IP 65

Operating temperature

-40°C +85°C

Approval code

APEM KG

Courant 2 positions

15 A

Courant 3 positions

10 A

Tension

250 V

Contacts

Laiton argenté faston 6,3

Manoeuvres mécaniques

100.000

Manoeuvres électriques

10.000

Indice de protection

IP 65

Température d'utilisation

-40°C +85°C

Code d'homologation

APEM KG



Codice

Code

Code

Circuito

Circuit

Circuit

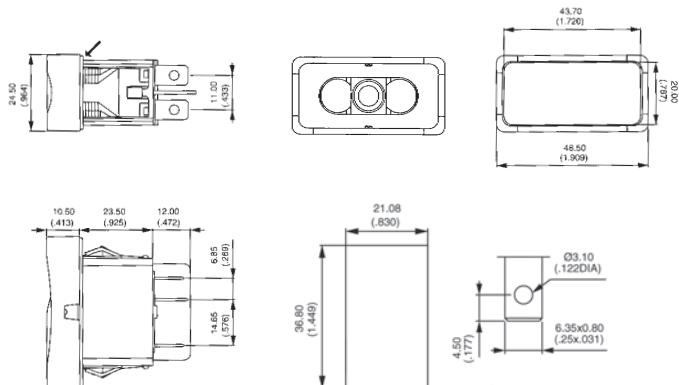
Unipolare | Single pole | Unipolaire

KG31	on	-	off
KG35	mom	-	on
KG36	on	-	on
KG37	mom	off	mom
KG38	on	off	mom
KG39	on	off	on

Bipolare | Double pole | Bipolaire

KG41	on	-	off
KG45	mom	-	on
KG46	on	-	on
KG47	mom	off	mom
KG49	on	off	on

Dimensioni | Dimensions | Dimensions



40 pz
40 pcs
40 pces



pronta
in stock
en stock



INTERRUTTORI LUMINOSI SPORGENTI

Illuminated switches | *Interrupteurs lumineux*

Corrente 2 posizioni

15 A

Corrente 3 posizioni

10 A

Tensione

250 V

Contatti

Ottone argentato faston 6,3

Manovre meccaniche

100.000

Manovre elettriche

10.000

Grado di protezione

IP 65

Temperatura di lavoro

-40°C +85°C

Codice di omologazione

APEM KG

2 position current

15 A

3 position current

10 A

Voltage

250 V

Contacts

Faston 6,3 silver plated brass

N° mechanical cycles

100.000

N° electrical cycles

10.000

Sealing

IP 65

Operating temperature

-40°C +85°C

Approval code

APEM KG

Courant 2 positions

15 A

Courant 3 positions

10 A

Tension

250 V

Contacts

Laiton argenté faston 6,3

Manoeuvres mécaniques

100.000

Manoeuvres électriques

10.000

Indice de protection

IP 65

Température d'utilisation

-40°C +85°C

Code d'homologation

APEM KG



Codice

Code

Code

Circuito

Circuit

Circuit

Lampada

Lamp

Lampe

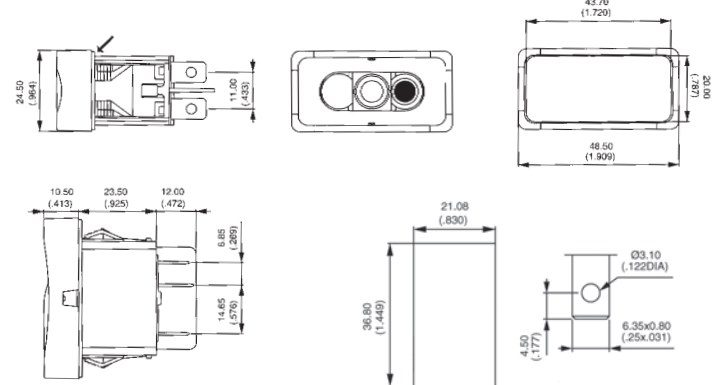
Unipolare | Single pole | Unipolaire

KG36XN	on	-	on	250 V
KG35XN	mom	-	on	250 V
KG39XN	on	off	on	250 V
KG36XR	on	-	on	24 V
KG35XR	mom	-	on	24 V
KG39XR	on	off	on	24 V

Bipolare | Double pole | Bipolaire

KG46XN	on	-	on	250 V
KG45XN	mom	-	on	250 V
KG49XN	on	off	on	250 V
KG46XR	on	-	on	24 V
KG45XR	mom	-	on	24 V
KG49XR	on	off	on	24 V

Dimensioni | Dimensions | Dimensions



40 pz
40 pcs
40 pces



pronta
in stock
en stock

INTERRUTTORI IMPERMEABILI

Sealed rocker switches | Interrupteurs étanches



INTERRUTTORI SPORGENTI LUMINOSI DOPPI

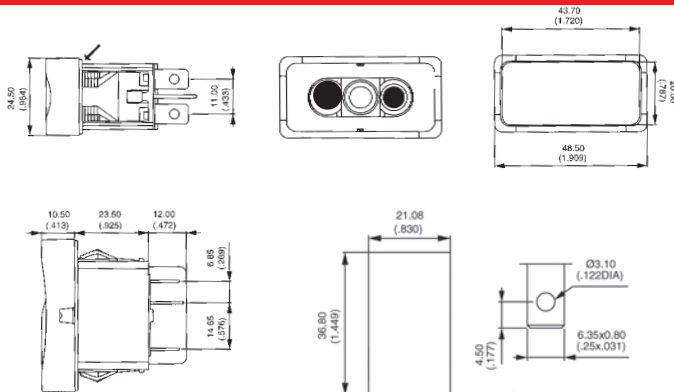
Protruding illuminated double switches | Doubles interrupteurs lumineux proéminents

Corrente 2 posizioni 15 A	2 position current 15 A	Courant 2 positions 15 A
Corrente 3 posizioni 10 A	3 position current 10 A	Courant 3 positions 10 A
Tensione 250 V	Voltage 250 V	Tension 250 V
Contatti Ottone argentato faston 6,3	Contacts Faston 6,3 silver plated brass	Contacts Laiton argenté faston 6,3
Manovre meccaniche 100.000	N° mechanical cycles 100.000	Manoeuvres mécaniques 100.000
Manovre elettriche 10.000	N° electrical cycles 10.000	Manoeuvres électriques 10.000
Grado di protezione IP 65	Sealing IP 65	Indice de protection IP 65
Temperatura di lavoro -40°C +85°C	Operating temperature -40°C +85°C	Température d'utilisation -40°C +85°C
Codice di omologazione APEM KG	Approval code APEM KG	Code d'homologation APEM KG



Code	Circuito	Lampada
Code	Circuit	Lampe
Unipolare Single pole Unipolaire		
KG36NN	on - on	250 V
KG39NN	on off on	250 V
KG36RR	on - on	24 V
KG39RR	on off on	24 V
Bipolare Double pole Bipolaire		
KG46NN	on - on	250 V
KG49NN	on off on	250 V
KG46RR	on - on	24 V
KG49RR	on off on	24 V

Dimensioni | Dimensions | Dimensions



40 pz
40 pcs
40 pces

pronta
in stock
en stock



BASCULE E LENTI

Rockers with lenses | Bascules et lentilles

Materiale Termoplastico UL 94-V0	Material Thermoplastic UL 94-V0	Matériau Thermoplastique UL 94-V0
--	---	---

Code	Colore
Code	Color
Code	Couleur
KGR 11	■
KGR 21	■
KGR 31	■
KGR 41	■
KGR 51	■
KGR 61	■
KGR 71	■
KGR 91	■

Bascula aperta singola | Single open rocker | Bascule ouverte unique

KGR16	■
KGR26	■
KGR36	■
KGR46	■
KGR56	■
KGR66	■
KGR76	■
KGR96	■

Bascula aperta doppia | Double open rocker | Bascule ouverte double

KGR18	■
KGR28	■
KGR38	■
KGR48	■
KGR58	■
KGR68	■
KGR78	■
KGR98	■

Lente | Lens | Lentille

KGLB1	■
KGLB3	■
KGLB6	■
KGLB9	■
KGLBB	■
KGLBT	trasparente/transparent/transparente

Dimensioni | Dimensions | Dimensions



40 pz
40 pcs
40 pces

pronta
in stock
en stock